



MEDISCA[®]
YOUR TRUSTED PARTNER IN COMPOUNDING

PRODUCT NO.: 6144

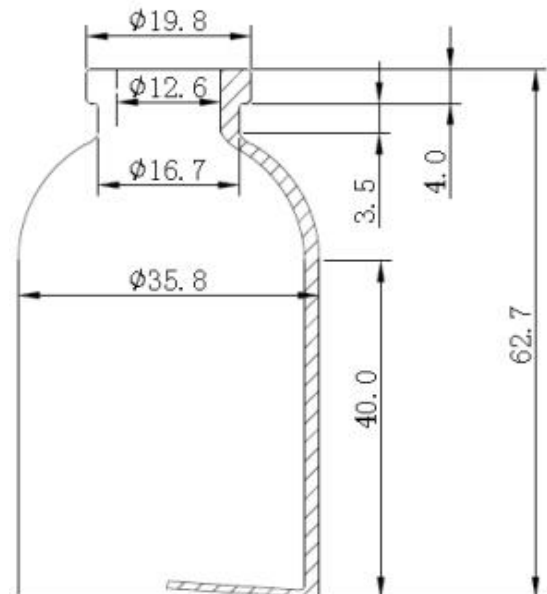


Vials, Open, Clear Glass, 30 mL, 20 mm (Sterile)

DESCRIPTION: All vials are sterile and pyrogen-free. Lot release sterility testing conforms to requirements set forth in USP <71>. Stopper and seal are not included.

TECHNICAL SPECIFICATIONS:

Filling Volume (mL)	33.0 ± 1.0
Height (mm)	62.7 ± 0.5
Thickness of bottle-lip (mm)	4.0 ± 0.3
Height of bottle-neck (mm)	3.5 ± 0.3
Effective height of bottle-body (mm)	40.0 ± 1.0
Outer diameter of bottle-mouth (mm)	19.8 ± 0.2
Inner diameter of bottle-mouth (mm)	12.6 ± 0.2
Outer diameter of bottle-neck (mm)	16.7 ± 0.5
Body diameter (mm)	35.8 ± 0.3
Material	Borosilicate glass



APPLICABLE PRODUCTS:

- ☑ 6118: Seals, Aluminum, Center Tear-Out, 13 mm, Silver (Sterile)
- ☑ 6119: Stopper, 20 mm, 2 Prongs, Chlorobutyl, Grey (Sterile)
- ☑ 6141: Seals, Aluminum, Flip-Off, 20 mm, Blank Top, Red (Sterile)
- ☑ 6142: Seals, Aluminum, Flip-Off, 20 mm, Blank Top, Blue (Sterile)
- ☑ 6143: Seals, Aluminum, Flip-Off, 20 mm, Blank Top Green (Sterile)
- ☑ 6145: Stopper, 20 mm, Snap-On, Chlorobutyl, Grey (Sterile)
- ☑ 6146: Stopper, 13 mm, Snap-On, Chlorobutyl, Grey (Sterile)

USA | CANADA | AUSTRALIA PACIFIC | EUROPE

WWW.MEDISCA.COM