



MEDISCA[®]
YOUR TRUSTED PARTNER IN COMPOUNDING

PRODUCT NO.: 9248

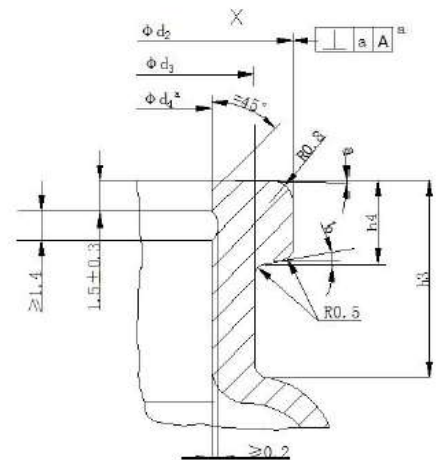
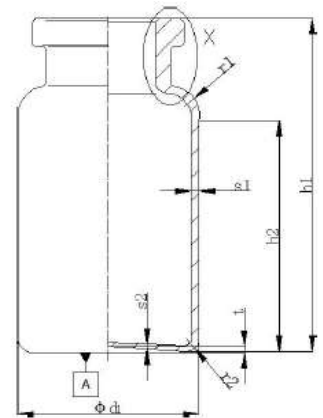


Vials, Amber Glass, 10mL, 20mm (USP Type 1)

DESCRIPTION: This serum bottle is ideal for long and short-term sample storage, lyophilization and vaccine / injectable drug containers. By matching the tube neck size to the corresponding seal and stopper, a crimper can be used to seal the serum accordingly. These amber bottles are made of borosilicate glass conform to USP Type I requirements. Shrink-wrapped partitioned modules reduce breakage.

TECHNICAL SPECIFICATIONS:

Filling Volume (mL)	10
Cap/Closure Size (mm)	20
Total Height, H1 (mm)	50 ±0.50
Outer Diameter of body, D1 (mm)	23.75 ±0.25
Outer Diameter of lip, D2 (mm)	19.94 ±0.25
Inner Diameter of lip, D3 (mm)	17
Outer Diameter of neck, D4 (mm)	12.70 ±0.25
Material	Borosilicate glass type 1



USA | CANADA | AUSTRALIA PACIFIC | EUROPE

WWW.MEDISCA.COM