



Vials with Stopper & Seal, Sterile, 5 mL, Clear

Description: Ideal for pharmaceutical companies, analytical laboratories, compounding pharmacies, hospitals, veterinarians, etc. These vials are assembled with Type 1 borosilicate glass, non-latex butyl stoppers and caps. The production process is carried out under strict Class 100 regulations. The vials are approved by the FDA and cGMP, including 14-day sterility testing. All vials meet or exceed USP and EP specifications. Certificate of Compliance available with each lot.

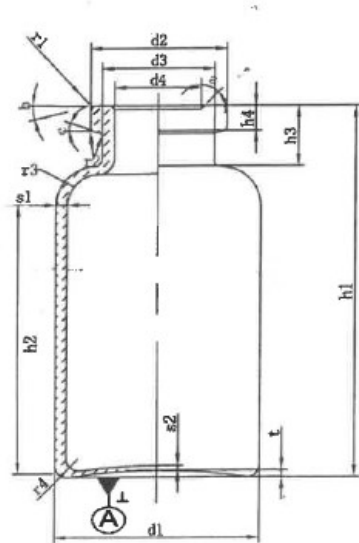
Technical Specifications:

Volume (mL)	5
Neck thread (mm)	20
Seal color	Silver
Glass color	Clear
Glass type	Type 1 borosilicate
Stopper type	Bromobutyl

USA | Canada | Australia | International

medisca.com

Description: 5ml TYPE I glass vial, 22*1.0*36mm



Code	Nominal	Tol. +	Tol. -	
DIAMETER	d1	22	0.2	0.2
	d2	19.8	0.2	0.2
	d3	Max 16.00	0.00	N/A
	d4	12.60	0.2	0.2
HEIGHT	h1	36.00	0.50	0.50
	h2	25.00	0.50	0.50
	h3	7.40	0.50	0.50
	h4	3.6	0.20	0.20
THK	s1	1.00	0.04	0.04
	s2	Min 0.70	N/A	0.00
RADIAN	r1	0.8	0.2	0.2
	r2	≈ 0.5		
	r3	4	0.5	0.5
	r4	≈ 1.75		
ANGLE	a	≈ 45°		
	b	3°	2°	2°
	c	18°	2	2°
OTHERS	t	Max 0.70	0.00	N/A
		⊥	0.8	

USA | CANADA | AUSTRALIA PACIFIC | EUROPE

WWW.MEDISCA.COM

Please note that the information contained herein is for informational purposes only. The information is based on recognized compendia, manufacturers' instructions and/or other authoritative sources and texts. MEDISCA takes no responsibility for the validity or accuracy of this information. Customer MUST refer to USP, FDA, Health Canada, TGA and/or their State Board to ensure they comply with the specific regulations and ensure that appropriate procedures are in place.