



MEDISCA[®]
YOUR TRUSTED PARTNER IN COMPOUNDING

PRODUCT NO.: 8927

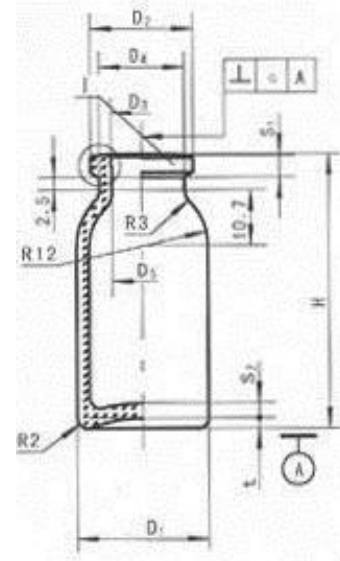


Serum Bottle, Clear Glass 10mL, 20mm (USP Type 1)

DESCRIPTION: This serum bottle is ideal for long and short-term sample storage, lyophilization and vaccine / injectable drug containers. By matching the tube neck size to the corresponding seal and stopper, a crimper can be used to seal the serum accordingly. These clear bottles are made of borosilicate glass conform to USP Type I requirements. Shrink-wrapped partitioned modules reduce breakage.

TECHNICAL SPECIFICATIONS:

Filling Volume (mL)	10
Cap/Closure Size (mm)	20
Total Height, H (mm)	53.5 +0.50/-0.60
Outer Diameter of body, D1 (mm)	25.4 +0.35/-0.40
Outer Diameter of lip, D2 (mm)	20 +0.10/-0.30
Inner Diameter of lip, D3 (mm)	12.6 ± 0.20
Outer Diameter of neck, D4 (mm)	17
Inner Diameter of neck, D5 (mm)	11.5
Material	Borosilicate glass type 1



USA | CANADA | AUSTRALIA PACIFIC | EUROPE

WWW.MEDISCA.COM