



Dispenser, MD Jar Airless 50mL, 0.6mL, w/view window

Description: The new portfolio of MD Dispensers was engineered for accuracy with a professional structure, yet designed to convey a cosmetic appeal. The MD Dispenser will maintain the integrity of a formulation, allowing users to dose preparations easily and accurately. The first of its kind on the market, this dispenser features a UV resistant view window for added convenience.

Features:

- Airless dispensing
- Metered dispensed volume
- Excellent evacuation
- Minimal priming required
- UV-resistant
- Protection from oxidation
- Hygienic use, no bacterial contamination
- Latex-, BPA- and PVC-free

Technical Specifications:

Capacity (mL)	50
Dispensed Volume (mL)	0.6
Precision (% RSD)*	< 10.0

USA | Canada | Australia | International
medisca.com

Please note that the information contained herein is for informational purposes only. The information is based on recognized compendia, manufacturers' instructions and/or other authoritative sources and texts. MEDISCA takes no responsibility for the validity or accuracy of this information. Customer MUST refer to USP, FDA, Health Canada, TGA and/or their State Board to ensure they comply with the specific regulations and ensure that appropriate procedures are in place.

Material of Construction	Inner Bottle: Polypropylene Outer Bottle: SAN Cap: Polypropylene Collar: Polypropylene
Dimensions, L x Ø (cm / in)	7.5 x 6.5 / 2.9 x 2.5
Color	White with view window
Filling Method	Top-Filled w/ Snap Cap
UV-Resistance	Bottle: Yes View Window: Yes

* Value established using Medisca cream bases.

Filling Instructions:

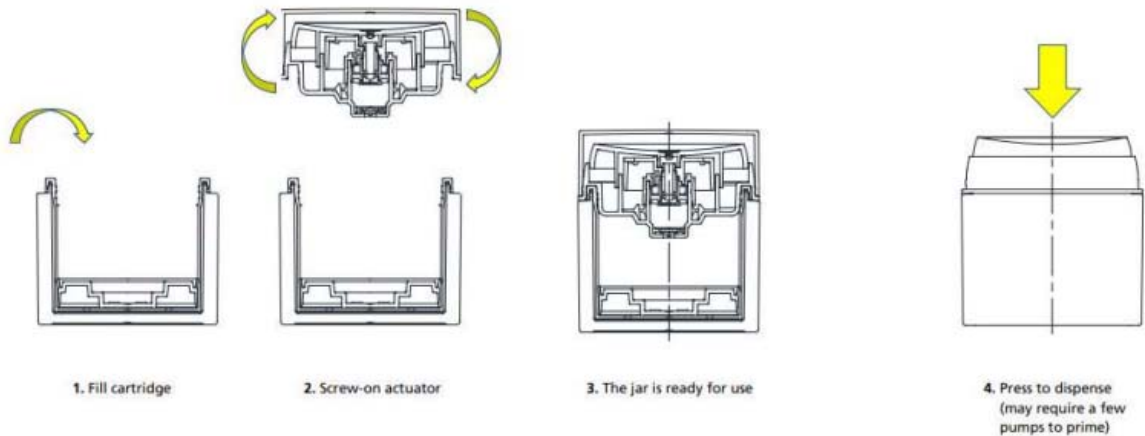


TO FILL :

TO USE :

To minimize air entrapment and ensure proper function:

- Tap the dispenser multiple times while filling to flatten the cream and evacuate air.



USA | CANADA | AUSTRALIA PACIFIC | EUROPE
WWW.MEDISCA.COM

Please note that the information contained herein is for informational purposes only. The information is based on recognized compendia, manufacturers' instructions and/or other authoritative sources and texts. MEDISCA takes no responsibility for the validity or accuracy of this information. Customer MUST refer to USP, FDA, Health Canada, TGA and/or their State Board to ensure they comply with the specific regulations and ensure that appropriate procedures are in place.