



MEDISCA[®]
YOUR TRUSTED PARTNER IN COMPOUNDING

PRODUCT NO.: 7151



Funnel, Eco-smartFunnel Disposable, 186mL, White

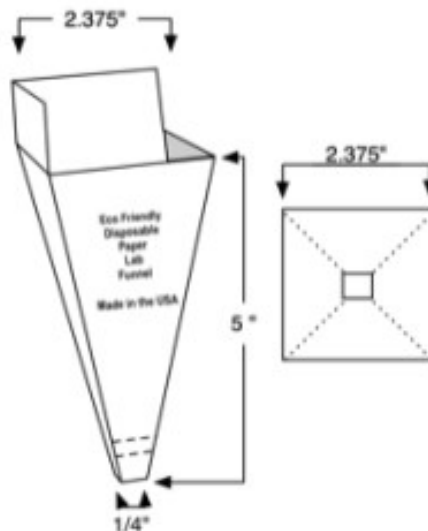
DESCRIPTION: The Eco-Smart Funnel is made with biodegradable heavy grade paper. It can be used to transfer virtually any fluid or powder.

FEATURES:

- ✔ Environmentally friendly paper product that will naturally biodegrade in the standard municipal waste stream.
- ✔ Made of clay coated heavy grade paper.
- ✔ Innovative "backrest" allows hands-free use when pouring viscous liquids.
- ✔ Maximum flexibility - cut stem to any desired opening size or shape.
- ✔ Apply a minimum of pressure and the funnel will stay in position.
- ✔ Use with virtually any liquid or powder - Not recommended for hot liquids.

ADDITIONAL INFORMATION

Dimensions:



USA | CANADA | AUSTRALIA PACIFIC | EUROPE

WWW.MEDISCA.COM